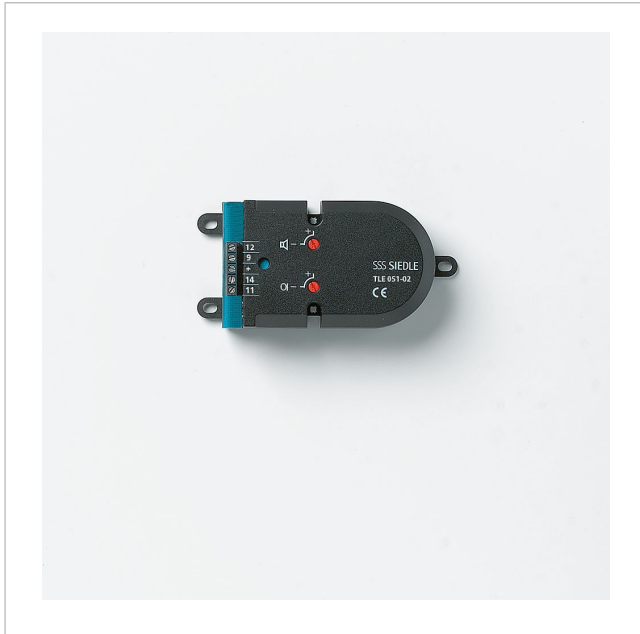


Custom-fit door
loudspeaker
TLE 051-02

Page 1



Product description

Custom fit door loudspeaker for non-Siedle telecommunication systems with post amplifier units PVG from Siedle, in 6+n systems or for elevator systems as an elevator car call station.

Integration in customer-supplied intercom compartment, door construction, letterbox system etc. possible. Easy to mount through universal fixing facility; when using louvre ZJ 051-... can be screwed on directly. Volume controller for microphone and loudspeaker.

Specifications

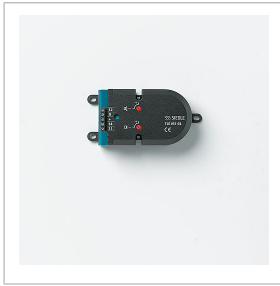
| | |
|------------------------------------|--------------------------------------|
| Protection system: | Dependent on the mounting conditions |
| Dimensions (mm) W x H x D: | 124 x 60 x 31 |
| Dimensions housing (mm) W x H x D: | 100 x 60 x 31 |

Article information

| Article designation | Article description | Colour/Material | SAP article no. |
|---------------------|-----------------------------|-----------------|-----------------|
| TLE 051-02 | Custom-fit door loudspeaker | Black | 200043874-00 |

Custom-fit door
loudspeaker
TLE 051-02

Page 2



Accessories

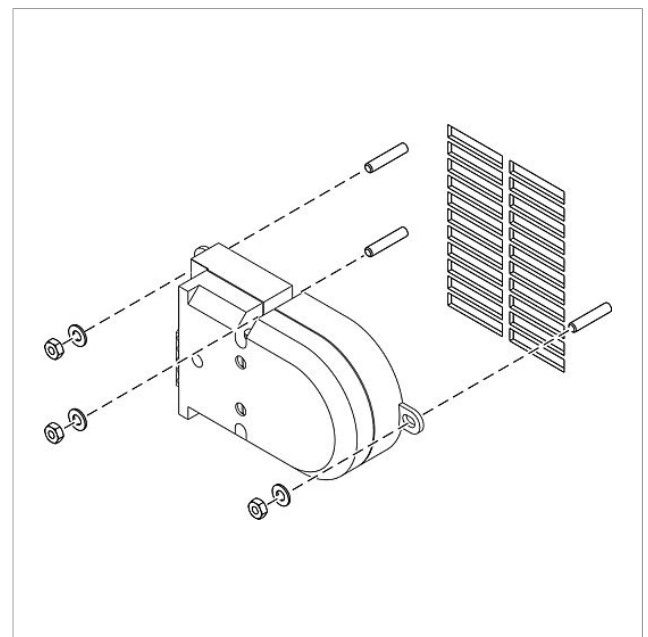
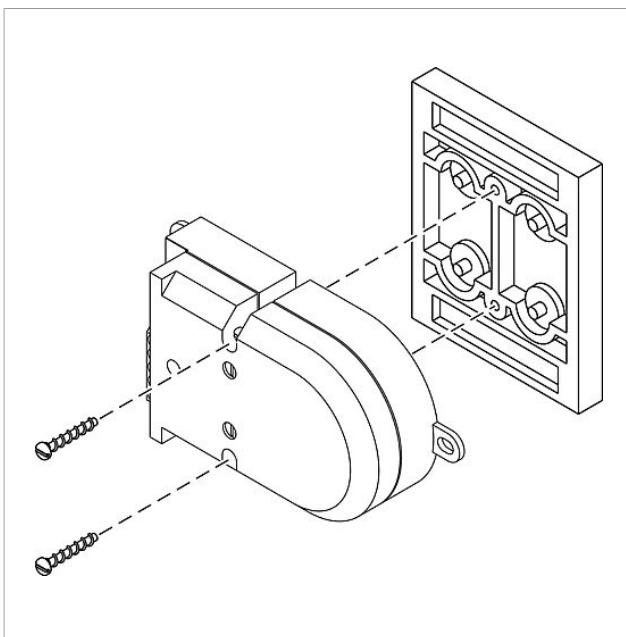
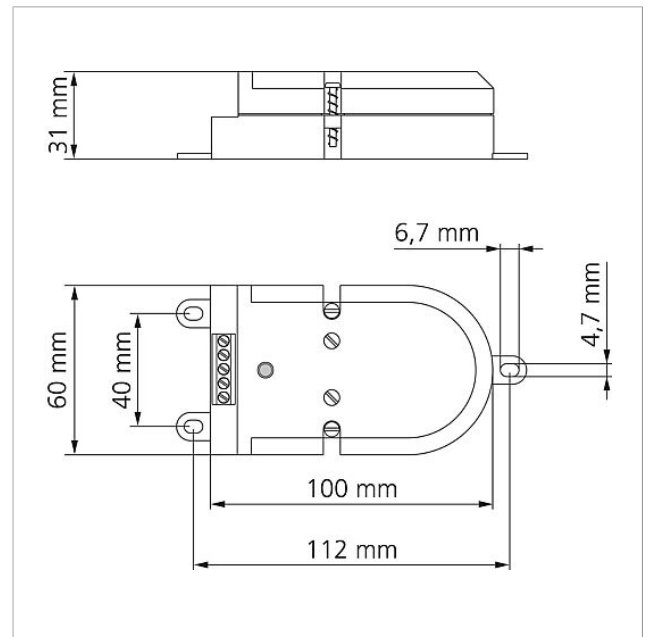
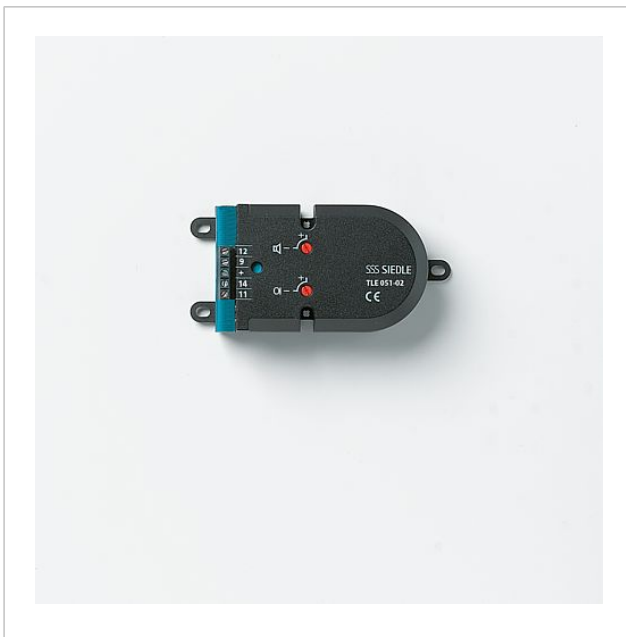
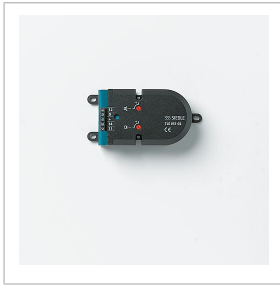
| Article designation | Article description | Colour/Material | SAP article no. |
|---------------------|----------------------------|-----------------|-----------------|
| ZJ 051-0 | Louvre accessory | Black | 200008139-00 |
| ZTL 051-0 | Universal mounting adapter | Black | 200009632-01 |

Spare parts

| Article designation | Article description | Colour/Material | SAP article no. |
|-------------------------|---------------------|-----------------|-----------------|
| TLE 061-0 | Microphone | Miscellaneous | 200017559-00 |
| TLM 611/612/640/650-... | Loudspeaker | Miscellaneous | 200029074-00 |

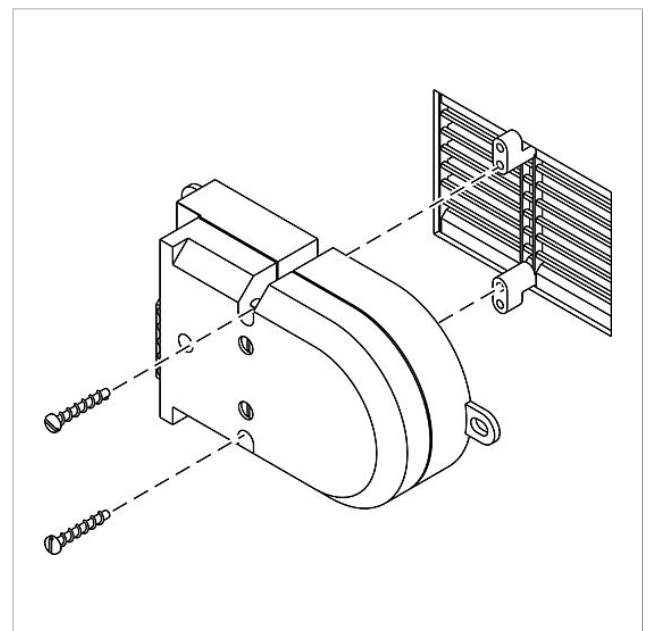
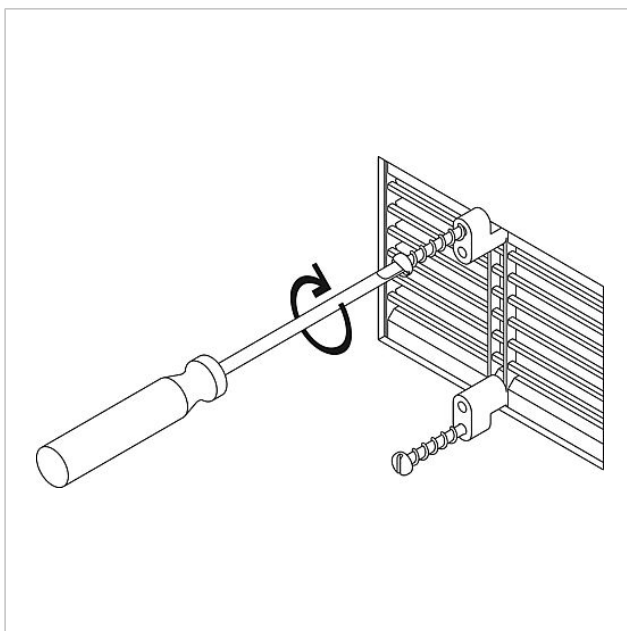
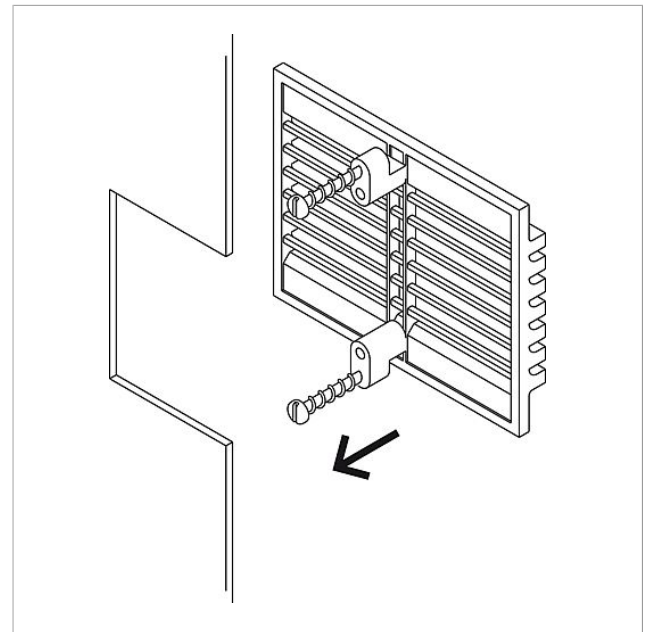
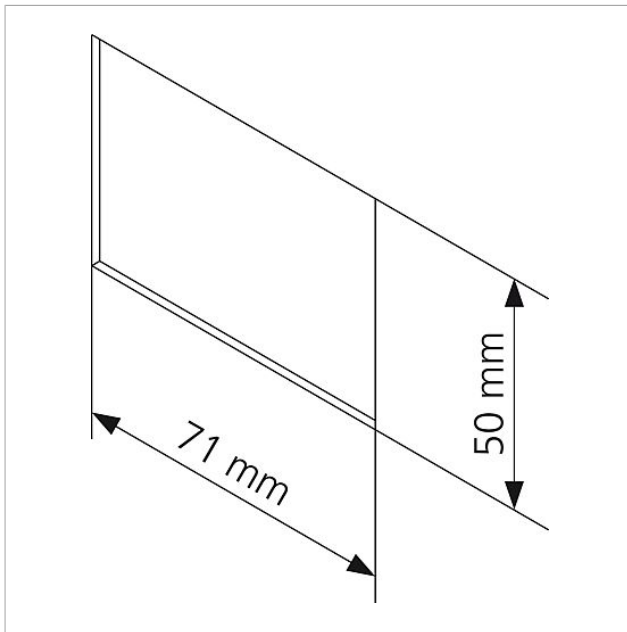
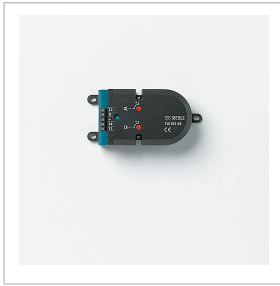
Custom-fit door
loudspeaker
TLE 051-02

Page 3



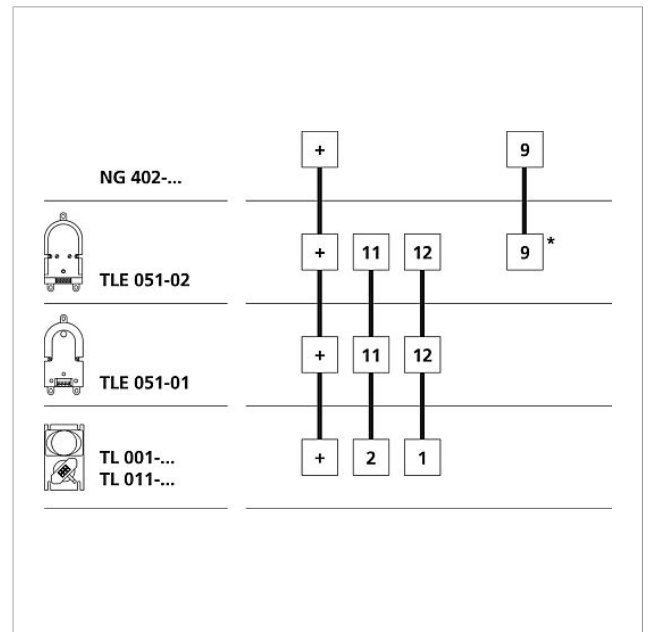
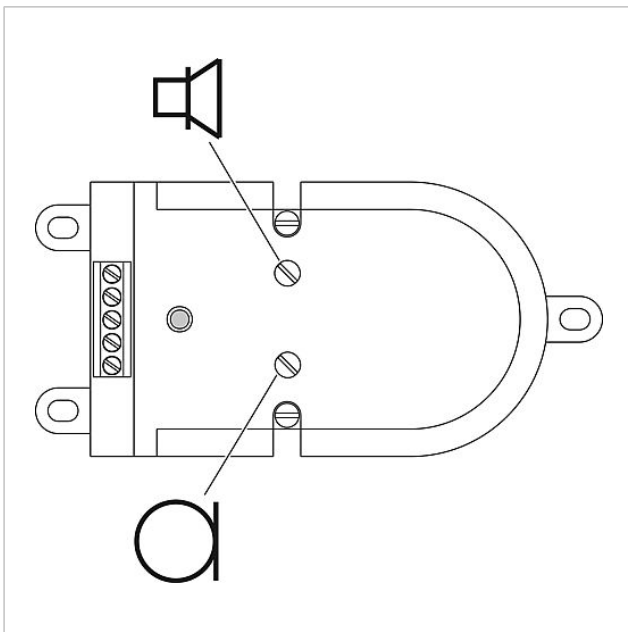
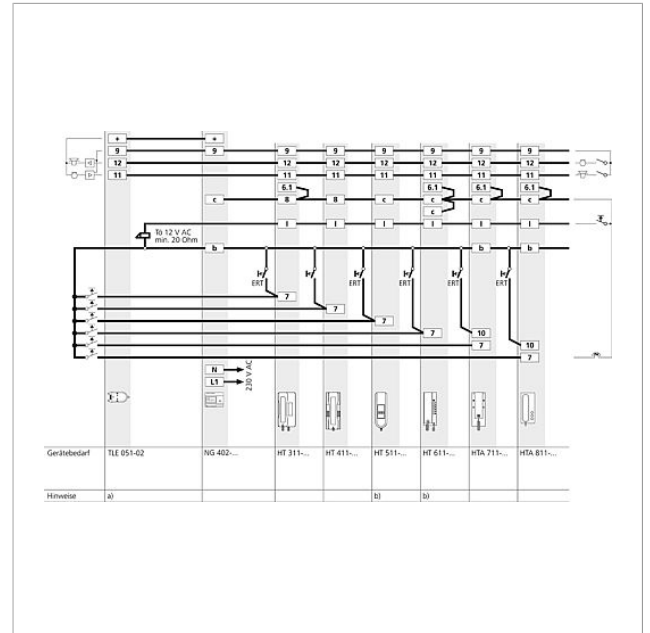
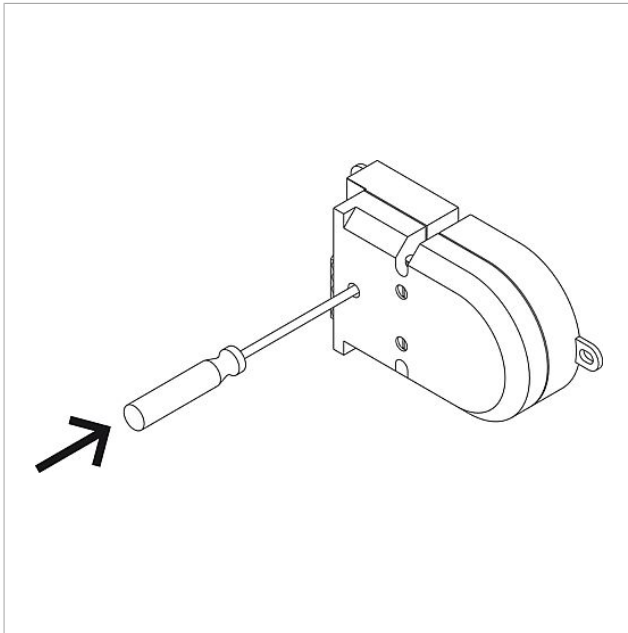
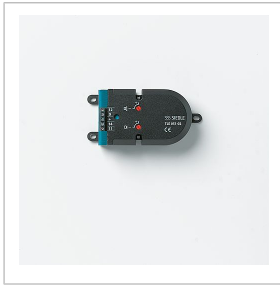
Custom-fit door
loudspeaker
TLE 051-02

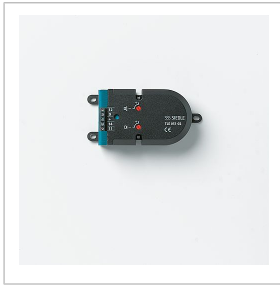
Page 4



Custom-fit door loudspeaker TLE 051-02

Page 5





Custom-fit door
loudspeaker
TLE 051-02

Page 6

| | | | |
|--|---------------------------|---------|----------|
| TLE 051-02 Custom-fit door loudspeaker | Product information | 782 kB | Download |
| TLE 051-... | Declaration of Conformity | 519 kB | Download |
| | Wiring | 51,9 kB | Download |
| | Wiring | 38,2 kB | Download |
| | Wiring | 44,1 kB | Download |