


Product information

RKMC 4

Industrial Connecting Solutions: Circular Connectors: M8 - M12 Connectors: M8 Connectors: Attachable M8 Connectors: female connector: with threaded joint - with solder connections or with screw terminals: RKMC 4

<https://www.e-catalog.beldensolutions.com:443/link/57078-24228-256281-256292-256303-250396-250398-250401-250521/en/conf/ulstate>

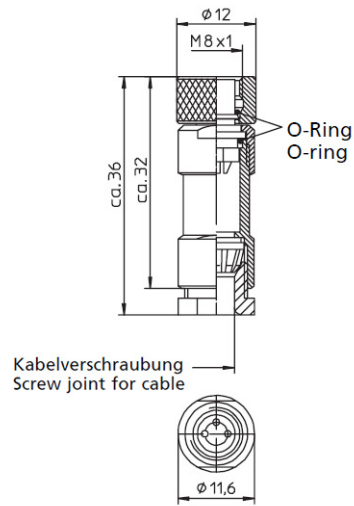
Name	RKMC 4
	
	Field attachable connector, M8 female connector with threaded joint, assembling with solder connections, 4 poles
Delivery informations	
Availability	available
Product description	
Type	RKMC 4
Order No.	2058
Description	Field attachable connector, M8 female connector with threaded joint, assembling with solder connections, 4 poles
Note	The application of these products in harsh environments should always be checked before use.
Number of contacts	4
Color of housing	black
Product characteristics	Oil resistance
Classification	
Belden brand	Lumberg-Automation
Mechanical data	
Type of plug-in contact	Female connector
Design of housing	straight
Thread	M8
Design of electrical connection	solder connection
Connectable conductor cross-section multiple wire (without sleeve)	max. 0.25 mm ²
LED display present	✘
Environmental conditions	
Environmental temperature	-40 °C ... 85 °C
Degree of protection (IP), mounted	IP67
Pollution degree	3
Materials	
Housing material / Molded body	PBT
Contact bearer material	PA
Contact material	CuSn
Contact material - Surface refinement	gold-plated
Knurled screw / nut material	CuZn, nickel-plated
Sealing material	FKM
Electrical data	
Contact resistance	≤ 3 mΩ
Rated current I _n	4 A at 40°C
Nominal voltage	30 V
Rated voltage	36 V
Test voltage	0.8 kV eff./60 s
Insulation resistance	> 1 GΩ

Industrial Connecting Solutions: Circular Connectors: M8 - M12 Connectors: M8 Connectors: Attachable M8 Connectors: female connector: with threaded joint - with solder connections or with screw terminals: RKMC 4

<https://www.e-catalog.beldensolutions.com:443/link/57078-24228-256281-256292-256303-250396-250398-250401-250521/en/conf/ui/state>

Picture

Drawing



4-polig
4 poles



Belden Deutschland GmbH
Im Gewerbepark 2
58579 Schalksmühle
Germany
Phone: +49 7127/14-1806
E-Mail: icos-sales@belden.com

The information published in the websites has been compiled as carefully as possible. It is subject to alteration without notice in technical as well as in price-related/commercial respect. The complete information and data were available on user documentation. Mandatory information can only be obtained by a concrete query.