

Datasheet - IFL 15-300-10/01

Inductive proximity switch / Housing construction form: cylinder, thread / IFL - M30



Preferred typ



- Design M30
- 1 Cable entry M 16 x 1.5
- Thermoplastic enclosure
- AC 2-wire
- Double-insulated
- Wiring compartment

(Minor differences between the printed image and the original product may exist!)

Ordering details

Product type description	IFL 15-300-10/01
Article number	101060599
EAN code	4030661047829
eCl@ss	27-27-01-01

Approval

Approval



CCC

Global Properties

Product name	IFL - M30
Standards	IEC/EN 60947-5-2; DIN VDE 0660-208
Compliance with the Directives (Y/N)	Yes
Operating resource protection class	Protection class 2
Materials	
- Material of the housings	Plastic
- Material of the nuts	Plastic
- Material of the washer	perbunan
- Material of the active surface	Plastic
Housing coating	None
Housing construction form	cylinder, thread
Weight	70 g

Mechanical data

Design of electrical connection	Screw connection
Conductor with strain relief	No
Cable section	
- Min. Cable section	
- Max. Cable section	1 x 1.5 mm ²
mechanical installation conditions	not flush
Switch distance	15 mm
Reduction factor 1 met (Y/N)	No
Protection circuit	inductive interference protection
Pressure resistant (Y/N)	No
Tightening torque for nuts	A/F 36 max. 400 Ncm

Ambient conditions

Ambient temperature	
- Min. environmental temperature	-25 °C
- Max. environmental temperature	+70 °C
Protection class	IP67 to IEC/EN 60529

Electrical data

Design of control element	Normally open contact (NO) or Opener (NC)
Number of wire	2 piece
Voltage type	AC, alternating current
Supply voltage U _B	
- Min. supply voltage	15 V
- Max. supply voltage	250 V
Rated supply frequency	45 ... 65 Hz
Switch frequency	approx. 10 Hz
Voltage drop U _d	approx. 4.5 V (250 V / 200 mA)
Rated impulse withstand voltage U _{imp}	4 kV
Residual current I _r	1 mA
Minimum operating current	10 mA
Operating current I _e	500 mA

Outputs

Design of control output	Two-wire
--------------------------	----------

LED switching conditions display

LED switching conditions display (Y/N)	Yes
- yellow LED	

ATEX

Explosion protection categories for gases	None
Explosion protected category for dusts	None

Dimensions

Dimensions of the sensor

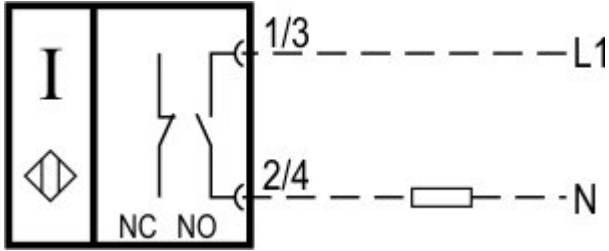
- Length of sensor 118 mm
- Diameter of sensor M30

notice

Instead of nuts, a mounting clamp can be provided.

Programmable by repositioning the plug-in jumper at the terminal screws

Diagram



Note Diagram

- positive break NC contact
- ⊕ active
- ⊖ no active
- Normally-open contact
- ⊔ Normally-closed contact

Ordering suffix

The applicable ordering suffix is added at the end of the part number of the safety switch.

Order example: IFL 15-300-10/01-1522

...-1522

Operating current I_e : max. 150 mA
Voltage drop U_d : approx. 7.5 V (150 mA)

Ordering code

IFL (1)-(2)(3)-(4)(5)(6)(7)-(8)

(1)	
10	Switch distance 10 mm
15	Switch distance 15 mm
(2)	
30	cylinder, thread M30, Metal film
300	cylinder, thread M30, Plastic
(3)	
without	Included in standard version Design
M	miniature body
L	Long design
(4)	
01	Opener (NC)
10	Normally open contact (NO)

10/01	Normally open contact (NO) / Opener (NC) with Wiring compartment
11	Normally open contact (NO) / Opener (NC) antivalent
(5)	
without	Cable
ST	Connector
T	Conductor with strain relief
D	DC 2-wire
(6)	
without	Included in standard version Plug-in connection
2	Alternative Plug-in connection
(7)	
N	n-type
P	p-type
(8)	
1310	Max. +110°C (Only for Alternating current AC)
2130	Max. +130°C, without LED switching conditions display
1766	Max. +110°C (Only for p-type or n-type)

Documents

Mounting and wiring instructions (de, en, fr, it) 79 kB, 05.10.2010

Code: m_fl1p01

Declaration of conformity (en, de) 232 kB, 05.11.2013

Code: __iflp01

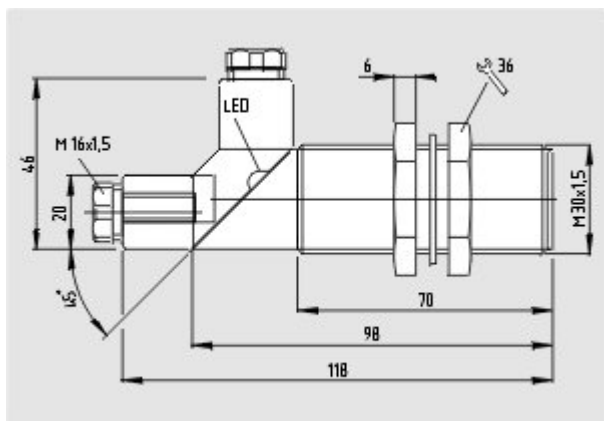
CCC certification (cn) 177 kB, 03.08.2015

Code: q_iflp03

CCC certification (en) 177 kB, 03.08.2015

Code: q_iflp02

Images



Dimensional drawing (basic component)



System components

Mounting accessories



101068520 - MOUNTING CLAMP H 30

- For a smooth fitting of the proximity switches with cylindric shape \varnothing 30 mm or thread M30

K.A. Schmersal GmbH & Co. KG, Möddinghofe 30, D-42279 Wuppertal

The data and values have been checked thoroughly. Technical modifications and errors excepted.

Generiert am 08.02.2016 - 11:47:19h Kasbase 3.2.1.F.64I