



ECO Compact distribution board, surface mounted, 1-rows, 8 HP, IP40



Powering Business Worldwide™

Part no.
Article no.
Catalog No.

BC-O-1/8-ECO
280346

Delivery programme

Basic function			Basic device
Basic function			Surface mount and flush mount distribution boards
Product range			ECO Compact distribution board
Design			Surface mounted
Installation site			Indoor
Type of installation			surface mounted
Door/Flap			transparent
Protection type			IP40
Color			white
Module rack			Mounting rail
Shroud for protection against accidental contact			Plastic
Series	Count		1
Space units per row			8
PE and N terminals			Screw terminals
			IP40 Protection Class II Plastic housing white (RAL 9003)
Cable entries			Metric cable entries on top and bottom
PE and N terminals	Number x cross- sectional area	mm ²	PE: 8 x 10 N: 8 x 10
Equipment supplied			Device support rails neutral-/protective conductor terminal

General

Standards			IEC/EN 60439-3, IEC/EN 62208
Ambient temperature		°C	-20 - +70
Protection type			IP40
Protection class			II (totally insulated)
Rated operational voltage	Ue	V AC	400
Rated frequency	f	Hz	50

Material characteristics

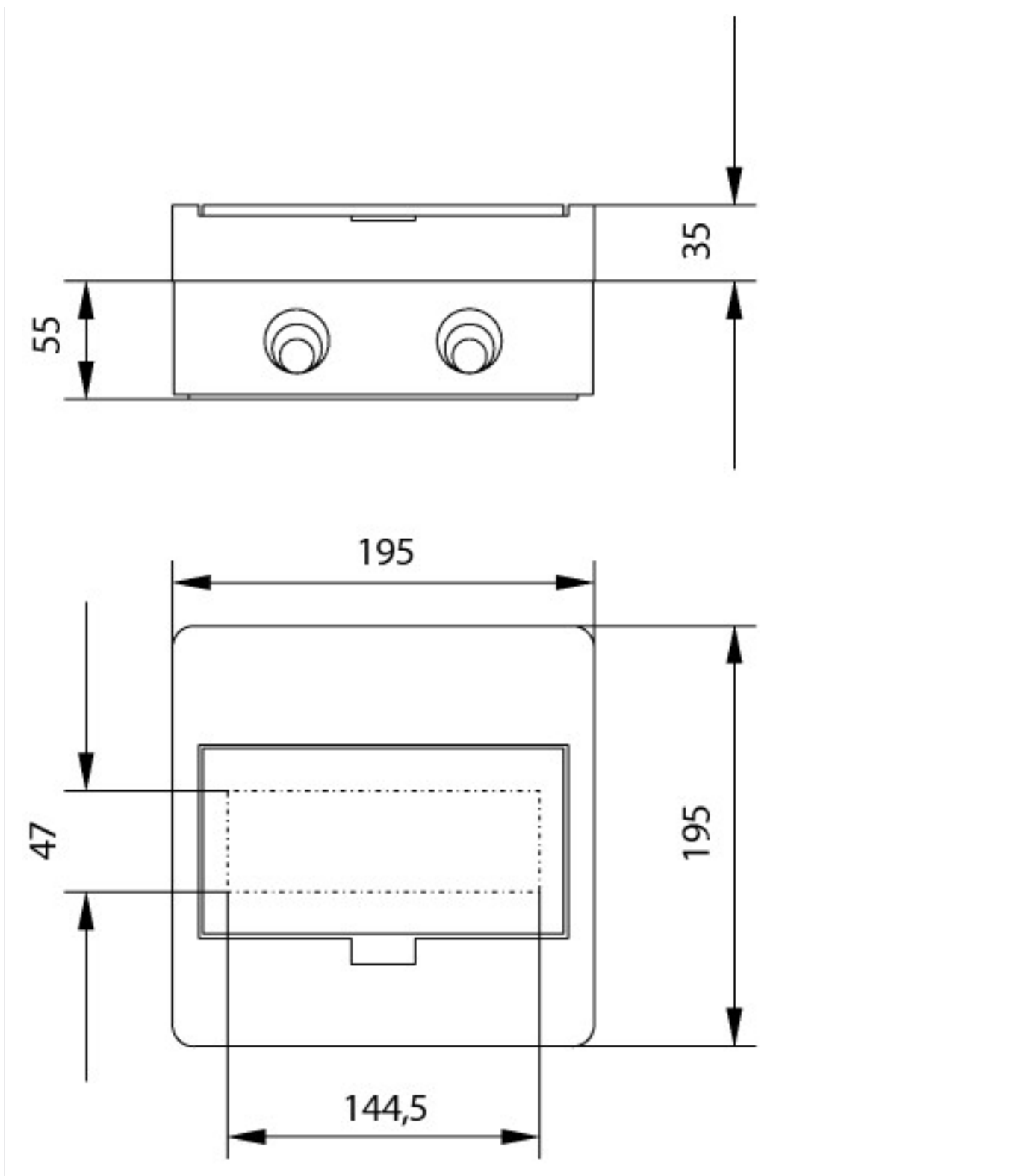
Material			ABS (plastic)
Colour			white (RAL 9003)

Technical data ETIM 5.0

Distribution boards (EG000023) / Small distribution board (EC000214)			
Electric engineering, automation, process control engineering / Electrical installation, device / Electrical distribution system (incl. small distribution board) / Small distribution board (ecl@ss8-27-14-24-09 [ACN387007])			
Mounting method			Surface mounting
Number of rows			1
Width in number of modular spacings			8
Type of cover			With notch
With transparent cover			Yes
Material housing			Plastic
Height		mm	195
Width		mm	195
Depth		mm	90
Built-in depth		mm	70
DIN-rail			Yes

With mounting plate		No
Extension possible		No
EMC-version		No
Colour		White
RAL-number		9003
Degree of protection (IP)		IP40

Dimensions



Additional product information (links)

Declaration of conformity

ftp://ftp.moeller.net/DOCUMENTATION/PDF/BC-O BC-U_CE.pdf