

Data sheet

Modul surface mount housing 2x12 port pure white

Page 1/5

P/N

130861-2402-E

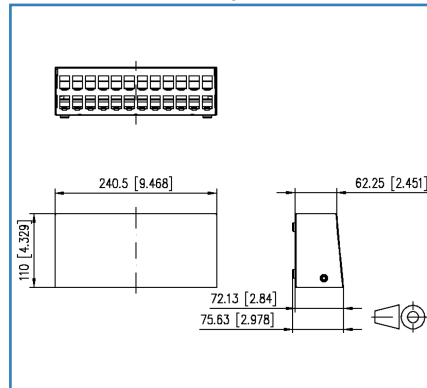
EAN 4250184151425

2015-26-11

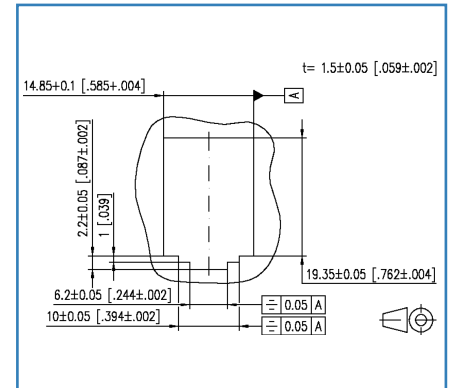
Illustrations



Dimensional drawing



Cut-out



See enlarged drawings at the end of document

Product specification

- surface-mounted, unequipped module housing for individual modules in modul design
- solid steel sheet housing
- upper part of the housing powder-coated in RAL 9010
- upper part of the housing can be put on and removed easily because no screws are used for fastening
- equipotential bonding possible by means of contact pin
- additional strain relief on lower part of housing using cable ties
- suitable for direct wall mounting, as desktop device and for DIN-rail mounting using the DIN rail adapter mini FS
- bottom of the 3-port and 4-port housing can be removed. Additional fastening by means of 60 mm fastening clearance.
- optionally available and fits in all housings: mini splice tray
- optionally available 2 x 12 housing: Strain relief for patch cords 130861-24ZE-E
- variants: 3, 4, 6, 8, 12, 16 and 2 x 12 ports

Modul surface mount housing 2x12 port pure white

P/N

130861-2402-E

EAN 4250184151425

2015-26-11

Technical Data

General Data

Fields of application	Office
Design	patch panel
Color	pure white
Dimensions	
Dimension (L x W x H)	110.00 x 240.50 x 75.63 mm
Dimension (L x W x H)	4.33 x 9.47 x 2.98 in.
Modularity	yes
Labeling option	on housing

Connections/interfaces

Number of ports interface 1	24
Number of equipped ports interface 1	0
Number of ports interface 2	24
Number of ports interface 2 equipped	0

Mechanical characteristics

Cut-out	Modul
Strain relief	cable tie

Materials and material properties

Material - Housing	aluminium-zinc sheet
Material - Front cover	aluminium-zinc sheet
Material - Cover	steel

Environmental conditions

Temperature (min. - max.)	
Temperature - Storage °C	-40 - 70 °C
Temperature - Storage °F	-40 - 158 °F
Temperature - Operating °C	-40 - 70 °C
Temperature - Operating °F	-40 - 158 °F



Data sheet

Page 3/5

Modul surface mount housing 2x12 port pure white

P/N

130861-2402-E

EAN 4250184151425

2015-26-11

Technical Data

Approvals

RoHS	compliant
------	-----------

Classifications

ETIM 5.0	EC001128
----------	----------

Packing details

Type of packaging	1 pc(s) / box
Packaging unit - Weight (gram)	860.00 g
Packaging unit - Weight (pound)	1.90 lb
Packaging dimension (W x H x D)	263.00 x 270.00 x 56.00 mm
Packaging dimension (W x H x D)	10.35 x 10.63 x 2.20 in.



Data sheet

Page 4/5

Modul surface mount housing 2x12 port pure white

P/N

130861-2402-E

EAN 4250184151425

2015-26-11

Accessories

P/N	Designation
130861-MSK-E	FO extension set for module surface mount housing
130861-24ZE-E	Patch cable strain relief for Modul surface mount housing 2x12 port



Modul surface mount housing 2x12 port pure white

P/N

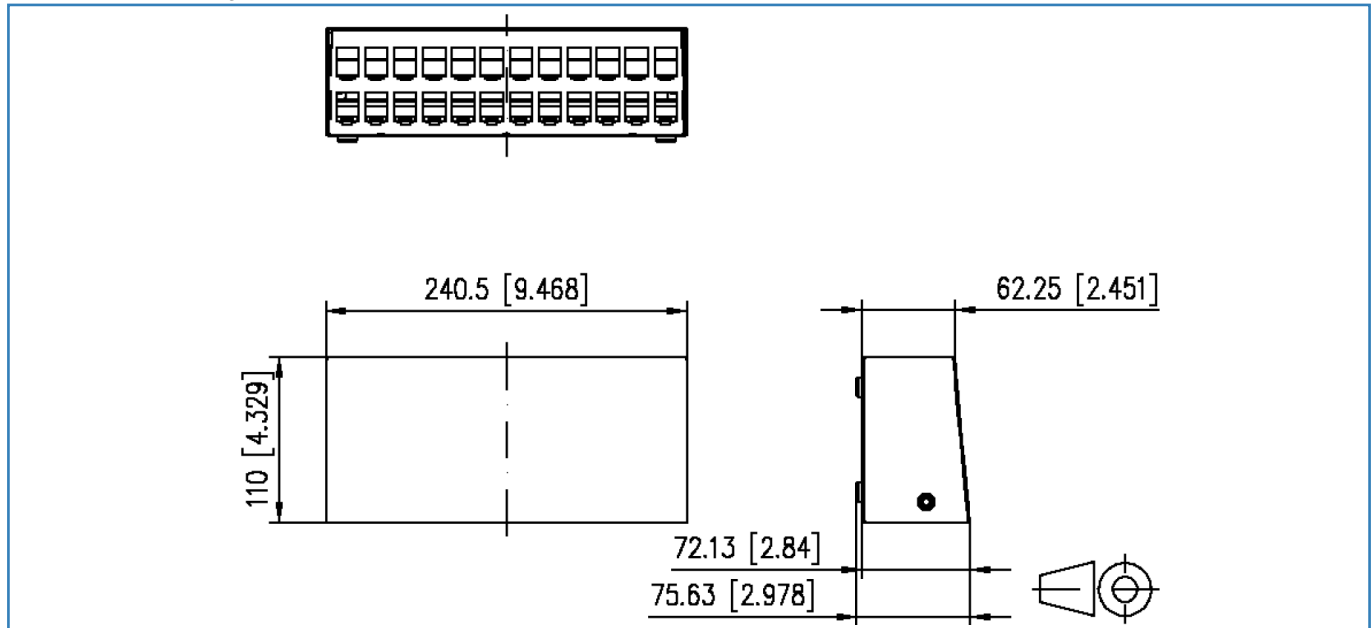
130861-2402-E

EAN 4250184151425

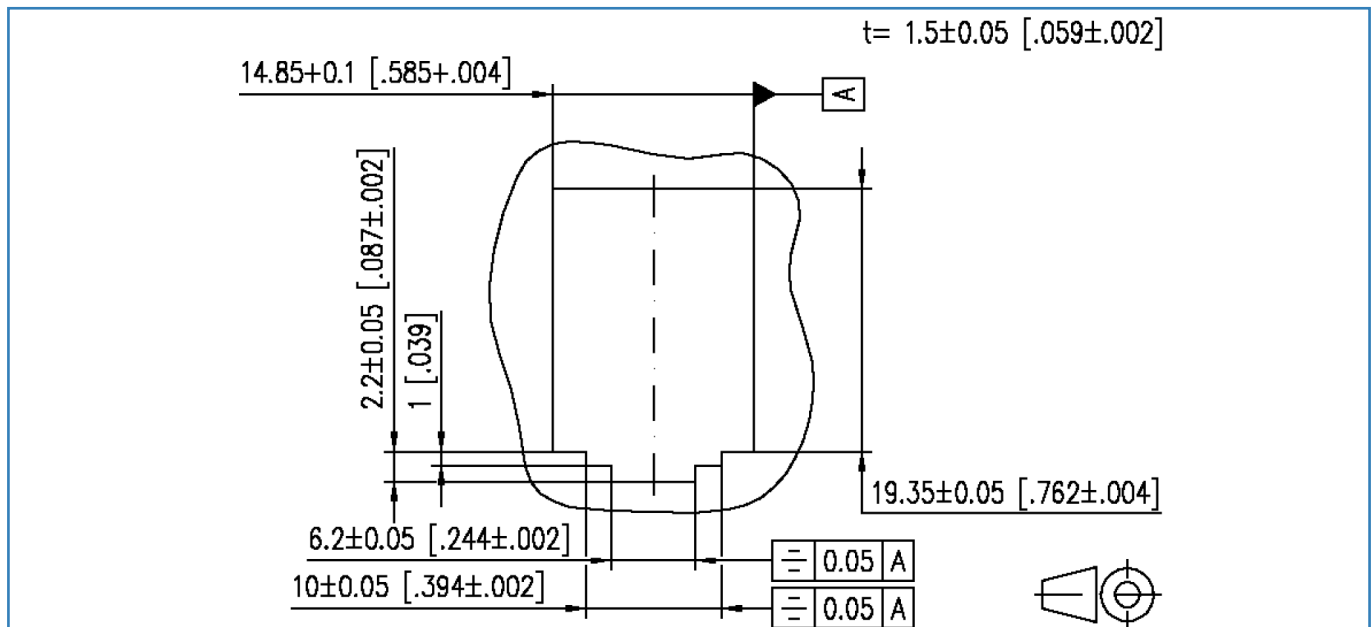
2015-26-11

Illustrations

Dimensional drawing



Cut-out



© 2015 METZ CONNECT - Technische Änderungen vorbehalten! Subject to modifications! Sous réserve de modifications techniques!