



|                                  |                           |
|----------------------------------|---------------------------|
| <b>DATA SHEET</b>                | 53611001                  |
| <b>SKINTOP® DIX-M AUTOMATION</b> | valid from :<br>15.1.2016 |

The SKINTOP® DIX AS-I M is specially developed seal for ASI bus cables and can be used instead of our standard inner seals in the SKINTOP® cable glands. Applications include lead-in cables in e.g. switch cabinets and control panels.

**Technical features:**

|                   |   |
|-------------------|---|
| Material          | NBR (halogen free, oil resistant)   |
| Size              | M20 up to M40   |
| Temperature range | -40 °C up to +100 °C  |
| Colour            | Black   |
| Protection class  | IP54 acc. to EN 60529<br><br>IP68 can be achieved if the hole is optimally occupied<br>i. e. when using standard ASI cables<br>(5 bar, test acc. to EN 60529) |



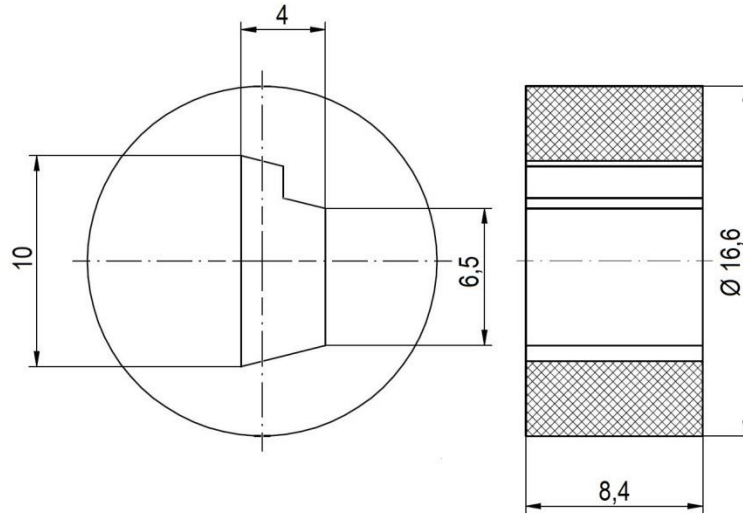
**Norm references:**



For more information please see our current catalogue.

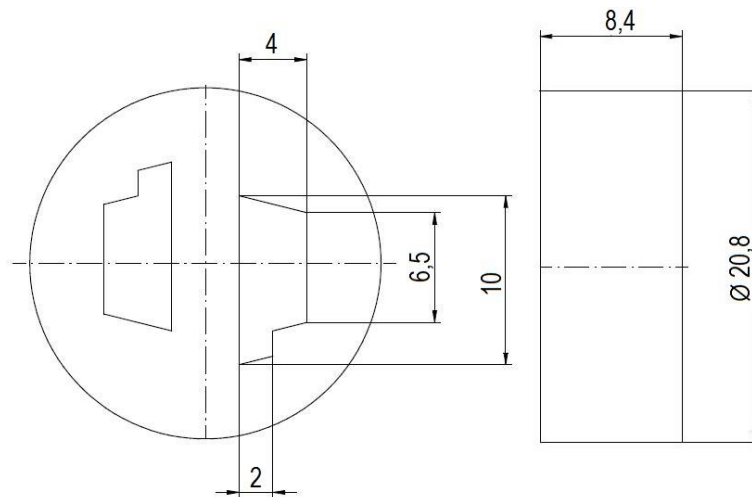
|                                  |                           |
|----------------------------------|---------------------------|
| <b>DATA SHEET</b>                | 53611001                  |
| <b>SKINTOP® DIX-M AUTOMATION</b> | valid from :<br>15.1.2016 |

**SKINTOP® DIX-M ASI**



| Size | Article No. |
|------|-------------|
| M20  | 53611001    |

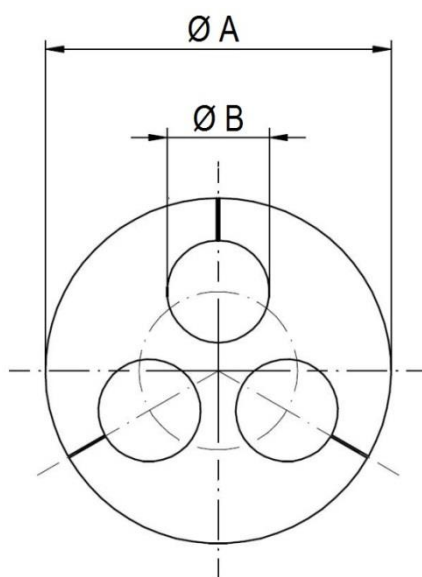
**SKINTOP® DIX-M ASI DUO**



| Size | Article No. |
|------|-------------|
| M25  | 53611004    |

Dimension units: **mm**

|                                  |                           |
|----------------------------------|---------------------------|
| <b>DATA SHEET</b>                | 53611001                  |
| <b>SKINTOP® DIX-M AUTOMATION</b> | valid from :<br>15.1.2016 |



**SKINTOP® DIX-M RJ-45**

| Size | Ø A [mm] | Ø B [mm] | Number of holes | Article No. |
|------|----------|----------|-----------------|-------------|
| M25  | 20,8     | 5,4      | 1               | 53440980    |

**SKINTOP® DIX-M FIELDBUS**

| Size | Ø A [mm] | Ø B [mm] | Number of holes | Article No. |
|------|----------|----------|-----------------|-------------|
| M32  | 25,6     | 6,5      | 1               | 53440970    |

**SKINTOP® DIX-M CUT**

| Size | Ø A [mm] | Ø B [mm] | Number of holes | Article No. |
|------|----------|----------|-----------------|-------------|
| M40  | 33,8     | 10       | 3               | 53310444    |