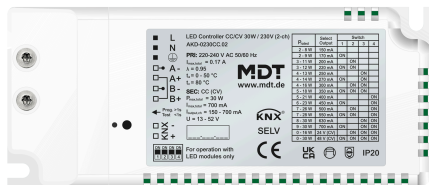


AKD-0230CC.02

KNX LED Controller CC/CV 30 W / 230 V 2-Channel



Product description:

The MDT LED Controller CC/CV 30 W is a compact LED controller with integrated power supply for constant current (CC) and constant voltage (CV). Two channels for connecting LED spots with a total output of 30 W. The operating modes "2x white" or "1x tunable white" are possible. Extensive KNX application with dynamic daylight control (HCL), time-dependent dimming and overcurrent/temperature monitoring.

Product functions:

- **Optimised Hybrid dimming for improved light quality**
- **Dimming range from 0.2 % ... 100 %, Minimum current 0.7 mA**
- Perfect dim behaviour over the entire dimming range
- **Maximum output power: 30 W over both channels**
- **Output max. current 700 mA**
- Constant current selectable via DIP switch
- Constant voltage operation with 24 V or 48 V
- **Tunable White colour temperature control**
- Selectable dimming curve, individual sequences
- **Operation modes: 2 x white or 1 x Tunable White**
- **Automatic colour temperature control Dim2Warm**
- **Dynamic daylight control HCL (Human Centric Lighting)**
- **Automatic time dependent dimming**
- Over current- and temperature monitoring
- **Integrated compact power supply**
- **Secondary connection cable length up to 6 m**
- Dimensions (H x W x D): 54 x 129 x 25 mm
- 3 year warranty

Technical data:

Device	Device type	AKD LED Controller
	Article Number	AKD-0230CC.02
	EAN / GTIN	4251916130879
	Dimensions (H x W x D)	54 x 129 x 25 mm
	Weight, gross (incl. packaging)	0.148 kg
	Protection classification	IP20
	Installation type	Surface mounted
	Installation position	any
	Weight, net	0.124 kg
Performance data	Supply voltage U	230 V AC, 50 Hz
	Power consumption	34 W (typ. @ 43 V / 700 mA)
Outputs	Number of outputs	2
	Dimming method	Hybrid dimming (PWM 1250 Hz @ 0.2 ... 10 %)
	Dimming range	0.2 ... 100 %, minimum current 0.7 mA
	Constant current range	14 settings, 150 ... 700 mA (dip switch) *1
	Constant voltage	24 V / 48 V (dip switch)
	Output voltage	13 ... 52 V DC *2
	Maximum supply current	700 mA
Output power channel A+B	30 W	
KNX	Nominal voltage KNX	30 V DC SELV
	Voltage range KNX	21 ... 31 V DC SELV
	Typical power consumption KNX bus	< 0,1 W
	KNX Medium	TP-256 with long frame support
	KNX Application	as of ETS 5 (latest)
Environmental conditions	Ambient operating temperature	0 ... 50 °C
	Storage	-40 ... +85 °C
	Humidity	< 95 %
	Condensation permissible	No

Technical data:

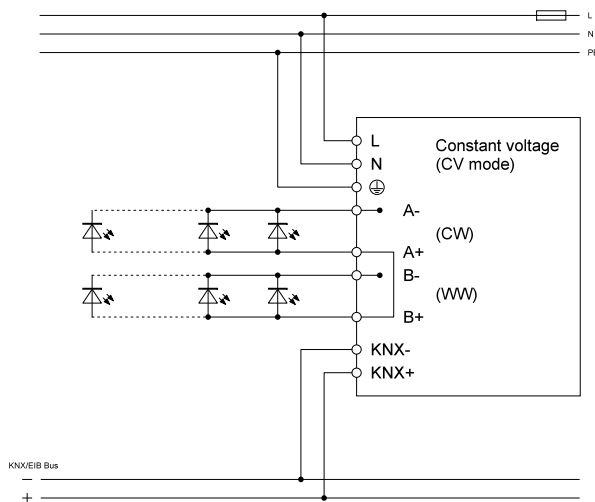
Connections	Connection type	Spring-loaded terminal, 1.5 mm ²
	KNX connection type	KNX terminal
	Permissible cable length LED output	Maximum 6 m two-core cable per channel *3
	Stripping length	8,5 ... 9,5 mm
	KNX cable cross section	0.6 ... 0.8 mm, solid conductor

*1 The total current of channel A + B is limited to 700 mA, In the event of exceedance of the total maximum allowed current, an automatic balancing of the outputs will be conducted based on the set brightness of channel A and B.

*2 The used LED's must be compatible across the complete voltage range.

*3 The use of single wires is not permitted.

Wiring diagram: Constant voltage (CV)



Wiring diagram: Constant current (CC)

