

AKD-0201.02

KNX Dimming Actuator 2-channel, 3 SU MDRC, 250 W, 230 V AC, with effective power measurement



Product description:

The MDT Dimming Actuator AKD is optimised for dimmable 230 V LED lamps. Extensive parameter settings offer, for example, the possibility to dim the light depending on the time or - depending on the location - according to the astronomical sunrise and sunset. Separate parameters for each channel and load type ensure the best possible dimming behaviour of the connected lamps.

Product functions:

- **Comprehensive application**
- **Optimised for dimmable LED lights (ab 2 W)**
- for HV-Halogen lamps and LV-Halogen lamps with trafo/ECG
- Selectable operation of leading-/trailing-edge dimming
- **Measurement of the effective power**
- **Integrated diagnostic function with plain text message**
- Overload/short-circuit and temperature protection with alarm message
- Time functions (switch on-/switch off delay, staircase light function)
- **Automatic time dependent dimming**
- **Soft start, global and individual Dimming speeds**
- **Day/Night function**
- Push-button for manual operation and LED Indicator per channel
- **Parallel operation of two channels with a total load of 500 W**
- Separate L-/N- connection for each channel, different phases possible (L1, L2, L3)
- 3 year warranty

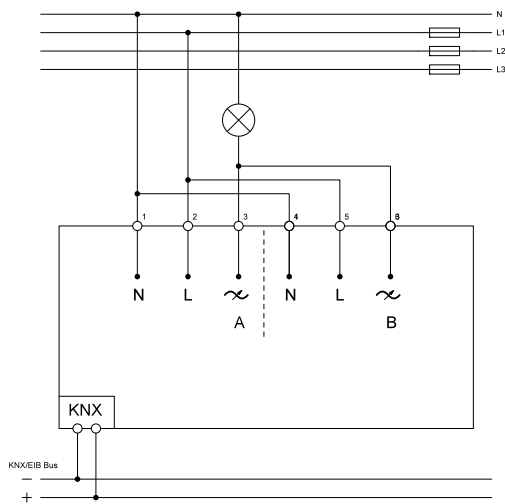
Technical data:

Device	Device type	AKD Dimming Actuator
	Article Number	AKD-0201.02
	EAN / GTIN	4251916130022
	Installation width	3 SU / 54 mm
	Dimensions (H x W x D)	90 x 54 x 65 mm
	Weight, gross (incl. packaging)	0.16 kg
	Protection classification	IP20
	Installation type	MDRC, DIN rail 35 mm
	Installation position	any
	Weight, net	0.135 kg
	Performance data	Nominal voltage U_n
Nominal frequency		50/60 Hz
Power dissipation of the device, typical		≤ 8 W
Power dissipation device, typical (no-load)		≤ 1 W
Outputs	Number of outputs	2
	Dimming method	Leading edge / trailing edge
Lamp data	HV-Halogen lamps	250 W
	Possible load distribution	2 x 250 W (1 x 500 W)
	Universal/ECO illuminant in trailing edge operation	200 W
	Old LED lamps in leading edge operation	50 W
	Minimum lamp load	2 W
KNX	Nominal voltage KNX	30 V DC SELV
	Voltage range KNX	21 ... 31 V DC SELV
	Typical power consumption KNX bus	< 0,3 W
	KNX Medium	TP-256 with long frame support
	KNX Application	as of ETS 4
Environmental conditions	Ambient operating temperature	0 ... 45 °C
	Storage	-20 ... +55 °C
	Humidity	< 95 %
	Condensation permissible	No

Technical data:

Connections	Connection type	Screw terminal with slotted head
	Conductor cross section 1 x	0,5 ... 4 mm ²
	Screw terminal tightening torque	0.5 Nm
	KNX connection type	KNX terminal
	KNX cable cross section	0.6 ... 0.8 mm, solid conductor

Wiring diagram: Parallel circuit



Wiring diagram: single channel

